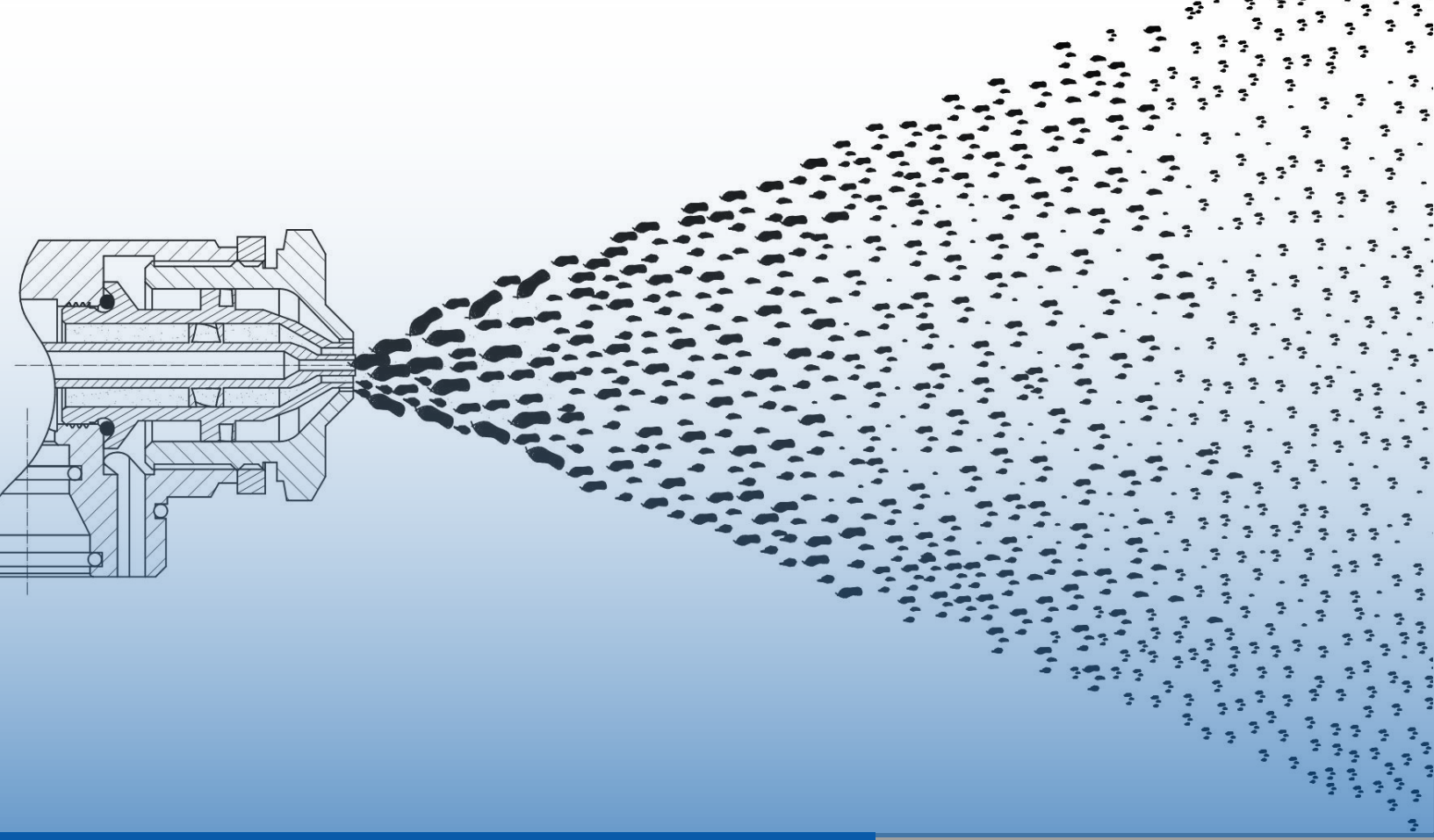


SENIER

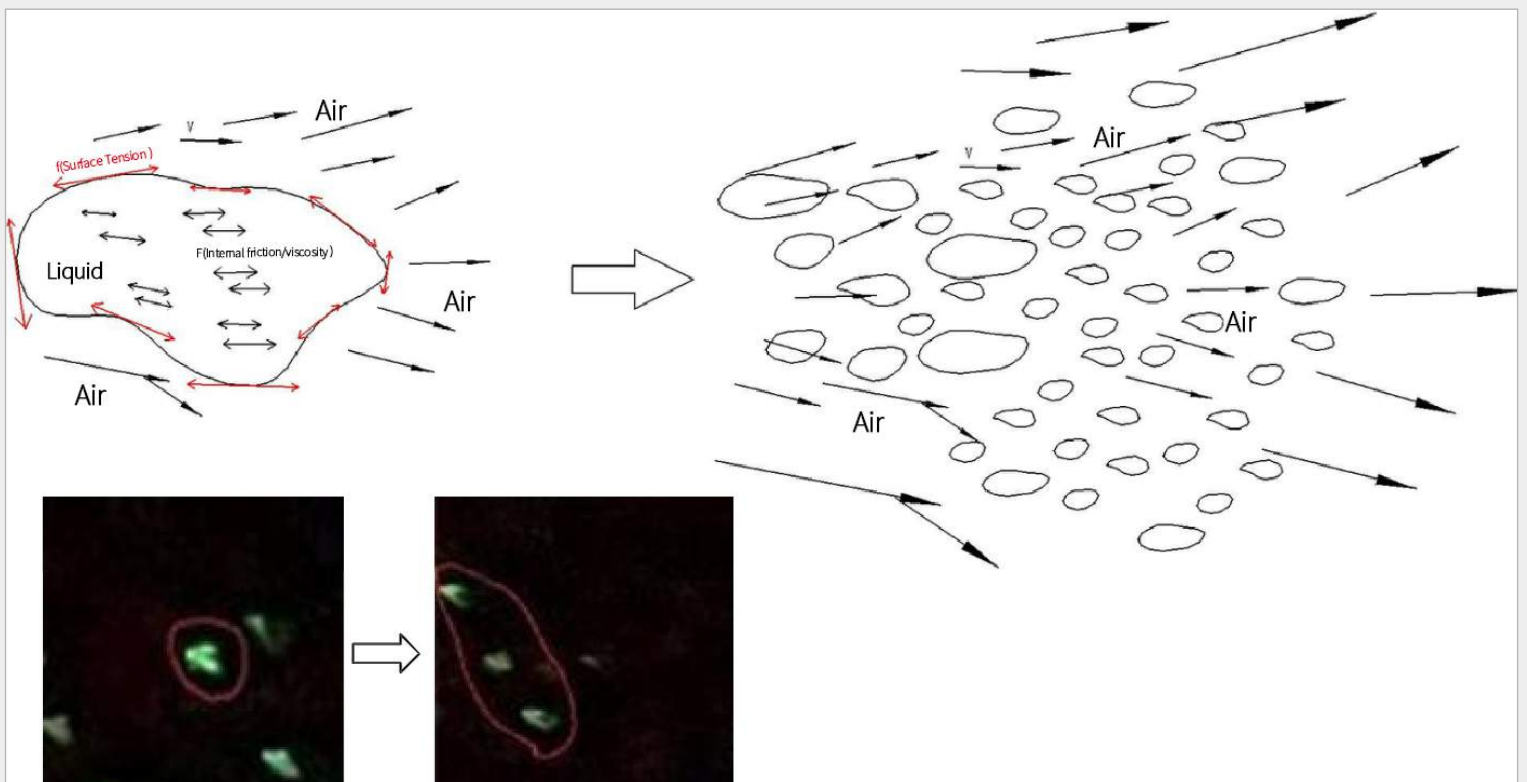


Spray Gun



Spray interpretation

The spray particles are compressed air that converts the pressure potential energy of the air into kinetic energy through the spray gun. The high-speed airflow generates drag force on the liquid just out of the nozzle, overcomes the internal friction (viscosity) and surface tension of the liquid, and tears the liquid into certain particles. The phenomenon of small droplets with a diameter and moving in a certain direction at a certain speed.



CONTENT

01 Rapid Mixer Granulator Spray Gun

SRMG-SFPQ I	01
SRMG-SFPQ I A	01
SRMG-SFPQ II	01
SRMG-SFPQ II A	02
SRMG-SFPQ III	02
SRMG-SFPQ IIIA	02
Rapid Mixer Granulator Spray Gun Series	03
Rapid Mixer Granulator Spray Gun Series-Atomization Effect	04

02 Fluid Bed Processor Spray Gun

Top Spray Gun

SGT 1	05
SGT 5	05
SGT 15L	05
SGT 30L	06
SGT 300L	06
SGT 300/3TL	06
SGT 60K	07
SGT 60Z	07
Multi-Head Overhead Spray Gun	08
Top Spray Gun Series	08
Top Spray Gun Series-Spray Effect	09

Bottom Spray Gun

SGB1	10
SGB5L	10
SGB15	10
SGB15L	11
SGB30	11
SGB30A	11
Bottom Spray Gun	12

Tagent Spray Gun

SGT1	13
SGT2	13
SGT3	13
SGT4	14
SGT4	14
Tagent Spray Gun Series	15
Tagent Spray Gun—Spray effect	16

03 Tablet Coating Spray Gun

SGC 3K	17
SGC 4K	18
BY- II -3K	19
BY- II -4K	20
BYQIII-10	21
Tablet Coating Spray Gun Series- Spray Gun Rack	22
Tablet Coating Spray Gun Series	22
Tablet Coating Spray Gun Series - Spray Effect	23

04 Centrifugal Granulator Spray Gun

SGCG-WL-300	24
SGCG-WL-1000	24
Centrifugal Granulator Spray Gun Series	25
Centrifugal Granulator Spray Gun - Spray Effect	26

05 WIP / CIP Washing Ball

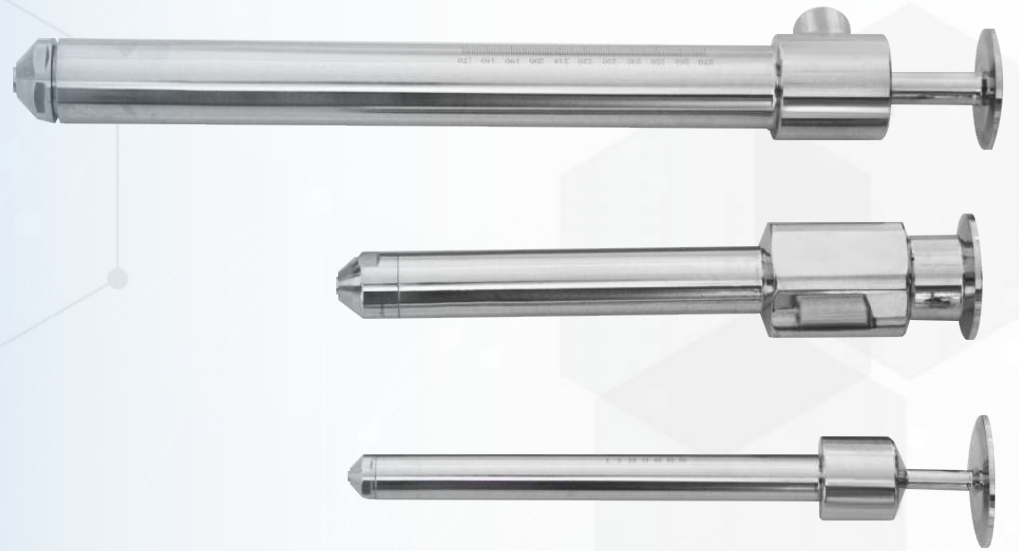
Telescopic self-driving cleaning ball	27
Self-driving rotating cleaning ball	27
Washing Ball Series—Spray Effect	28

06 Sterilization Nozzle

Sterilization Nozzle	29
----------------------	----



01



Rapid Mixer Granulator Spray Gun

SRMG-SFPQ I

SRMG-SFPQ I A

SRMG-SFPQ II

SRMG-SFPQ IIA

SRMG-SFPQ III

SRMG-SFPQ IIIA

Rapid Mixer Granulator Spray Gun Series

Rapid Mixer Granulator Spray Gun Series-Atomization Effect

Rapid Mixer Granulator Spray Gun

SRMG-SFPQ I Rapid Mixer Granulator Spray Gun Series

The spray volume of a single gun is less than or equal to 1kg/min, and the unique design structure can realize the on-line conversion of pressure atomization and air atomization; strengthen the droplet effect, solve the droplet drying and overwetting; loading and unloading do not need tools , Convenient and fast; adopts streamlined structure design, which is conducive to online cleaning and reducing gas turbulence.



SRMG-SFPQ I A Rapid Mixer Granulator Spray Gun Series

The spray volume of a single gun is less than or equal to 1kg/min, and the unique design structure can realize the on-line conversion of pressure atomization and air atomization; strengthen the droplet effect, solve the droplet drying and overwetting; loading and unloading do not need tools , Convenient and fast; adopts streamlined structure design, which is conducive to online cleaning and reducing gas turbulence.



SRMG-SFPQ II Rapid Mixer Granulator Spray Gun Series

The spray volume of a single gun is less than or equal to 6kg/min, and the unique design structure can realize the on-line conversion of pressure atomization and air atomization; strengthen the droplet effect, solve the droplet drying and over-wetting; loading and unloading do not need tools , Convenient and fast; adopts streamlined structure design, which is conducive to online cleaning and reducing air turbulence.



Rapid Mixer Granulator Spray Gun

SRMG-SFPQ IIA Rapid Mixer Granulator Spray Gun Series

The spray volume of a single gun is less than or equal to 6kg/min, and the unique design structure can realize the on-line conversion of pressure atomization and air atomization; strengthen the droplet effect, solve the droplet drying and over-wetting; loading and unloading do not need tools , Convenient and fast; adopts streamlined structure design, which is conducive to online cleaning and reducing air turbulence.



SRMG-SFPQ III Rapid Mixer Granulator Spray Gun Series

The spray volume of a single gun is less than or equal to 45kg/min, and the unique design structure can realize the on-line conversion of pressure atomization and air atomization; strengthen the droplet effect, solve the droplet drying and over-wetting; loading and unloading do not need tools , Convenient and fast; adopts streamlined structure design, which is conducive to online cleaning and reducing air turbulence.



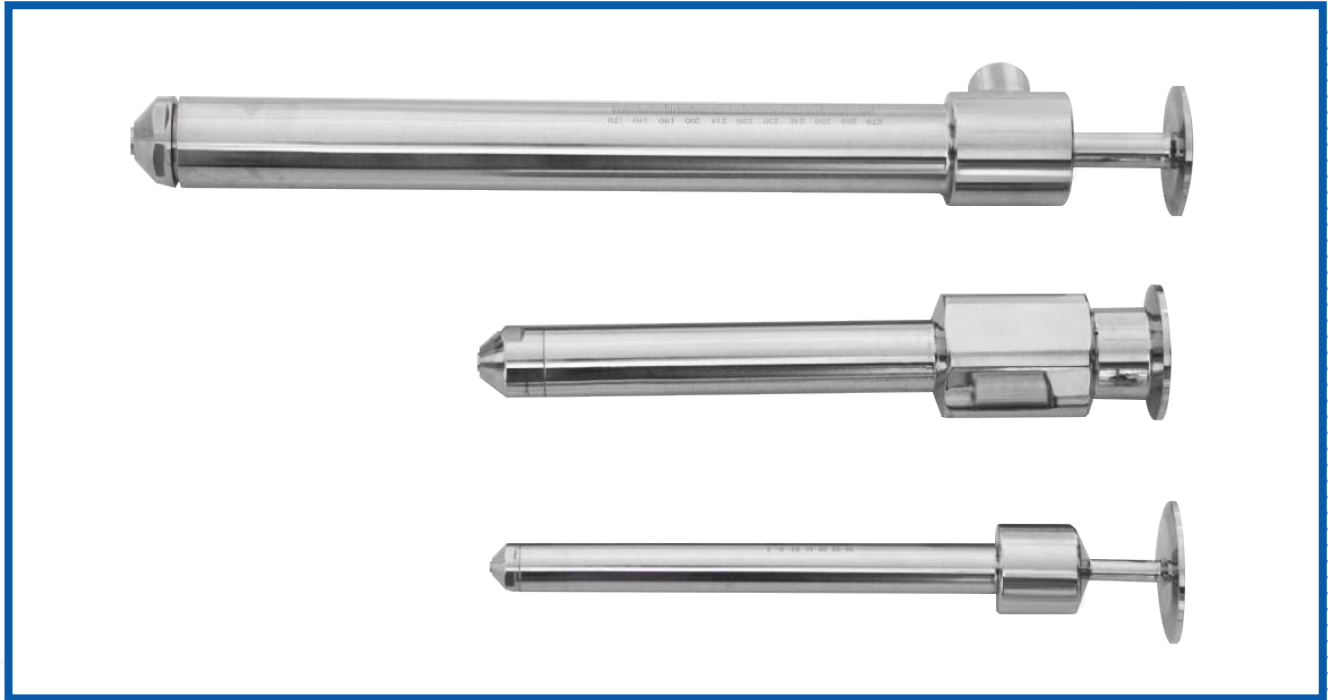
SRMG-SFPQ IIIA Rapid Mixer Granulator Spray Gun Series

The spray volume of a single gun is less than or equal to 45kg/min, and the unique design structure can realize the on-line conversion of pressure atomization and air atomization; strengthen the droplet effect, solve the droplet drying and overwetting; loading and unloading do not need tools , Convenient and fast; adopts streamlined structure design, which is conducive to online cleaning and reducing gas turbulence.



Rapid Mixer Granulator Spray Gun

Rapid Mixer Granulator Spray Gun Series



Rapid Mixer Granulator Spray Gun

Rapid Mixer Granulator Spray Gun Series-Atomization Effect

Comparison of two atomization effect images: under the pressure of 2 kg tap water



02



Fluid Bed Processor Spray Gun

Top Spray Gun

SGT 1

SGT 5

SGT 15L

SGT 30L

SGT 300L

SGT 300/3TL

SGT 60Z

SGT 60K

Multi-Head Spray Gun

Top Spray Gun Series

Top Spray Gun Series-Spray Effect

Fluid Bed Processor Spray Gun

SGT1 Series Top Spray Gun

The flow channel of the spray gun is specially designed to spray evenly and softly. It is only suitable for fluidized bed equipment of 1KG and below.



SGT5L Series Top Spray Gun

Adopting advanced connection structure, the whole gun can be completely disassembled, no welding, high cleanliness level, suitable for 1~5kg fluidized bed equipment.



SGT15L Series Top Spray Gun

Adopting advanced connection structure, the whole gun can be completely disassembled, no welding, high cleanliness level, suitable for 5~15kg fluidized bed equipment.



Fluid Bed Processor Spray Gun

SGT30L Series Top Spray Gun

Adopting advanced connection structure, with liquid control function, the whole gun can be completely disassembled, no welding, high cleanliness level, suitable for 15~30KG fluidized bed equipment.



SGT300L Series Top Spray Gun

Adopting advanced connection structure, the whole gun can be completely disassembled, no welding, high cleanliness level, suitable for 60~300kg fluidized bed equipment.



SGT300L/3TL Series Top Spray Gun

The spray gun is three-flow style, adopting advanced connection structure, the whole gun can be completely disassembled, no welding, high cleanliness level, suitable for 120~500kg fluidized bed equipment.



Fluid Bed Processor Spray Gun

SGT60Z Series Top Spray Gun

The spray gun is equipped with a needle valve, which has the functions of flow control and online blocking.



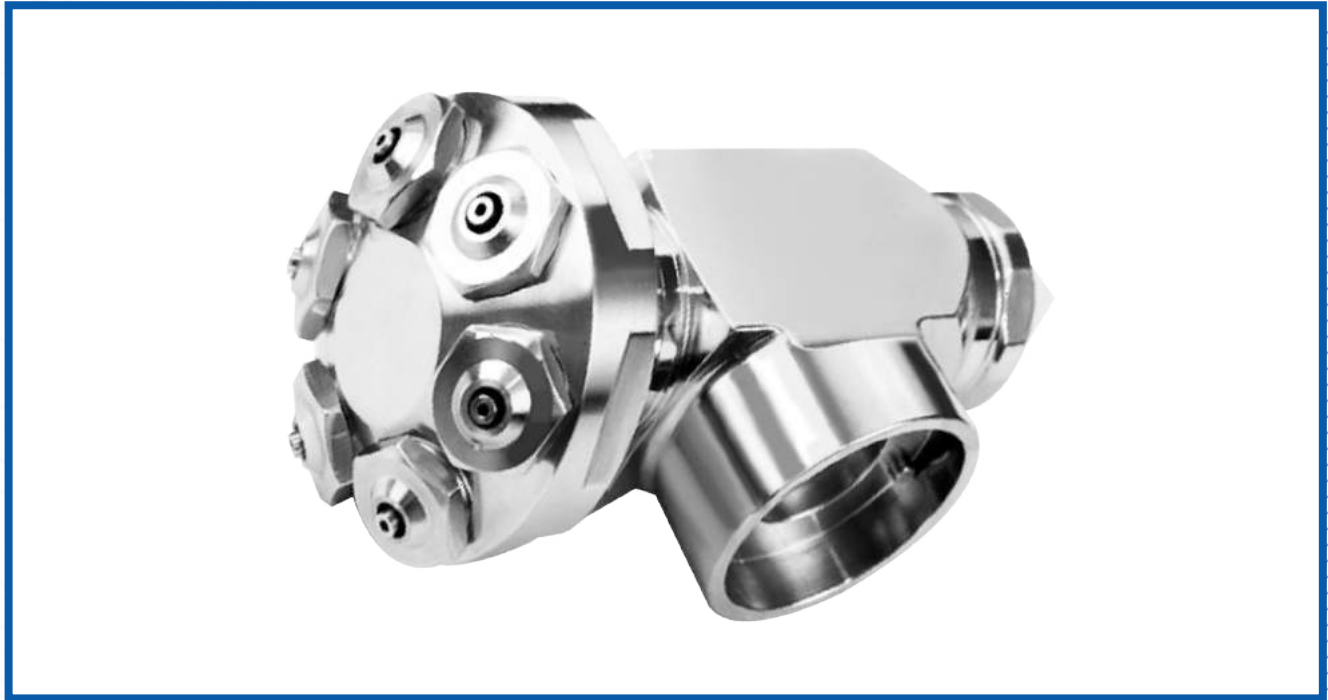
SGT60K Series Top Spray Gun

The spray gun is a two flow type, with liquid control function, the flow channel is specially designed, suitable for the slurry with higher viscosity.



Fluid Bed Processor Spray Gun

Top Spray Gun Series Of Multi-Head Top Spray Gun



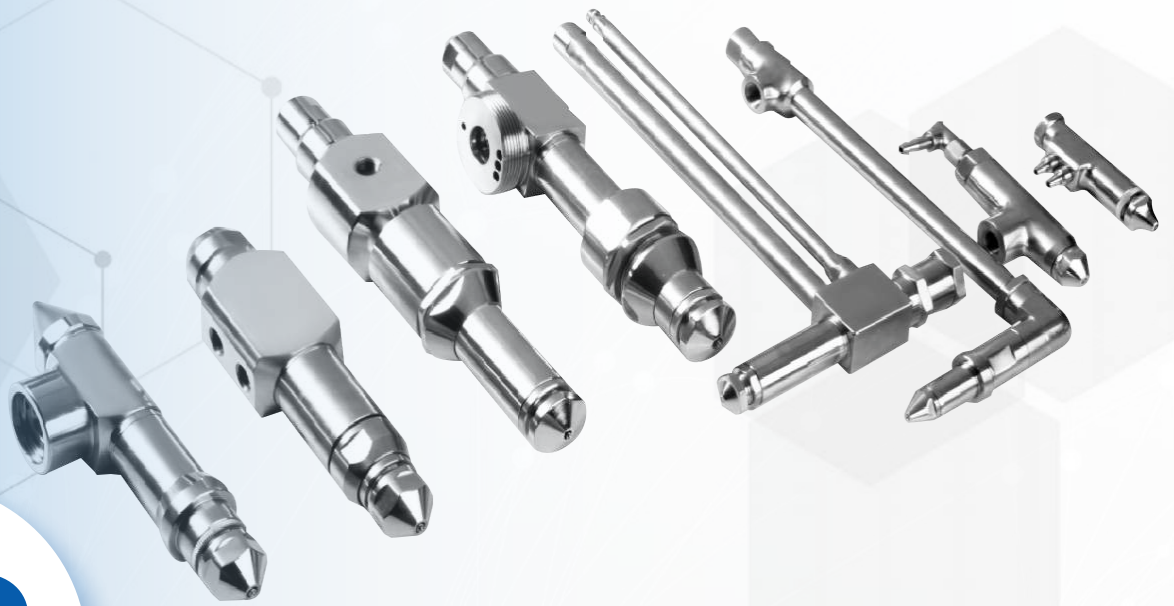
Top Spray Gun Series



Fluid Bed Processor Spray Gun

Top Spray Gun Series-Spray Effect





02

Fluid Bed Processor Spray Gun

Bottom Spray Gun

SGB1

SGB5L

SGB15

SGB15L

SGB30

SGB30A

Bottom Spray Gun Series

Fluid Bed Processor Spray Gun

SGB1 Bottom Spray Gun Series

The flow channel of the spray gun is specially designed to spray evenly and softly. It is suitable for fluidized bed equipment of 1KG and below.



SGB 5 Series Bottom Spray Gun

The spray gun adopts an advanced connection structure, the whole gun can be completely disassembled, no welding, high cleanliness, suitable for 1~5KG fluidized bed equipment



SGB 15 Series Bottom Spray Gun

The spray gun is a two-stream bottom spray gun, equipped with a needle valve, with the functions of liquid control and online blocking.



Fluid Bed Processor Spray Gun

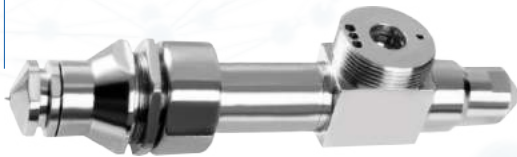
SGB 15L Series Bottom Spray Gun

The spray gun adopts an advanced connection structure, the whole gun can be completely disassembled, no welding, high cleanliness level;equipped with a needle valve, and has the functions of liquid control and online blocking.



SGB 30 Series Bottom Spray Gun

The spray gun is equipped with a needle valve, which has the functions of liquid control and online blocking.



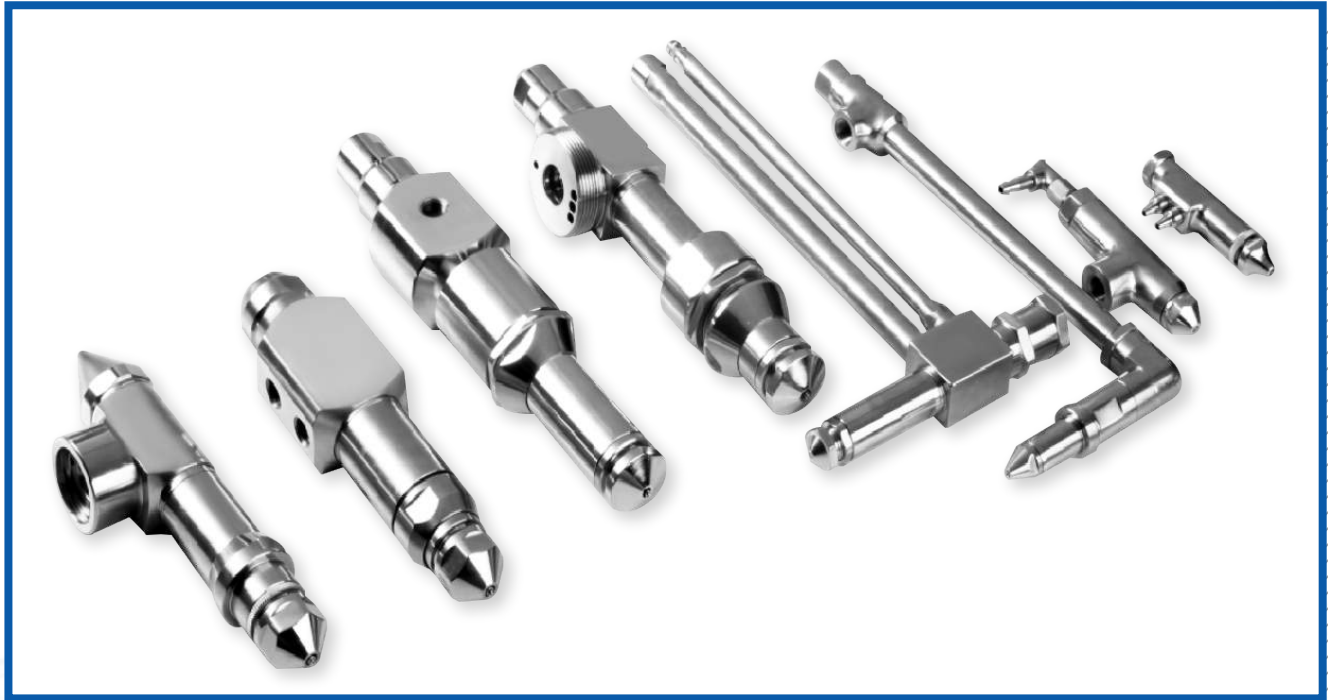
SGB 30A Series Bottom Spray Gun

The spray gun is equipped with a needle valve, which has the functions of liquid control and online blocking.



Fluid Bed Processor Spray Gun

Bottom Spray Gun Series



02



Fluid Bed Processor Spray Gun

Tangent Spray Gun

SGT1

SGT2

SGT3

SGT4

SGT5

Tangent Spray Gun Series

Tangent Spray Gun—Spray effect

Fluid Bed Processor Spray Gun

SGT1 Tangent Spray Gun Series

The flow channel of the spray gun is specially designed to spray evenly and softly. It is only suitable for fluidized bed equipment of 1KG and below.



SGT2 Tangent Spray Gun Series

The flow channel of the spray gun is specially designed to spray evenly and softly, which is suitable for 1~5KG fluidized bed equipment.



SGT3 Tangent Spray Gun Series

The flow channel of the spray gun is specially designed to spray evenly and softly, which is suitable for 5~30KG fluidized bed equipment.



Fluid Bed Processor Spray Gun

SGT4 Tangent Spray Gun Series

The flow channel of the spray gun is specially designed to spray evenly and softly, which is suitable for 30~60KG fluidized bed equipment.



SGT5 Tangent Spray Gun Series

The spray gun is a three-flow type, equipped with a liquid control valve, suitable for 60~300KG fluidized bed equipment.



Fluid Bed Processor Spray Gun

Tangent Spray Gun series

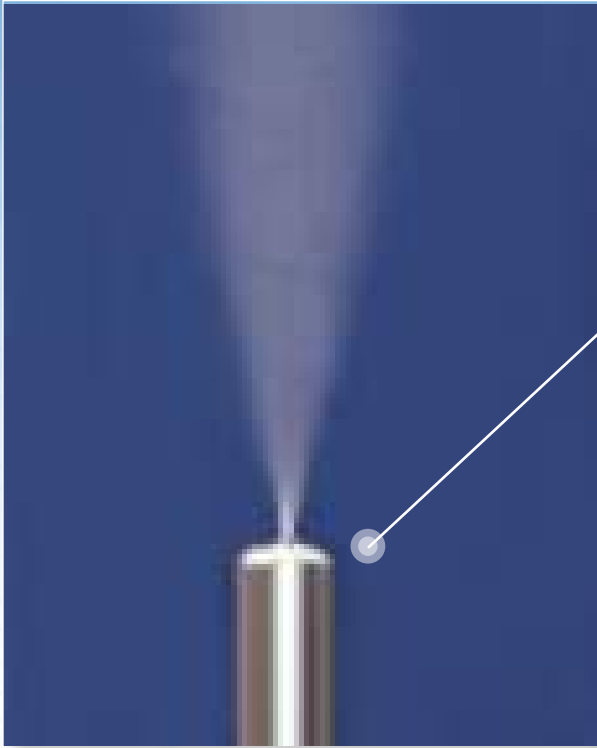


Tangent Spray Gun series

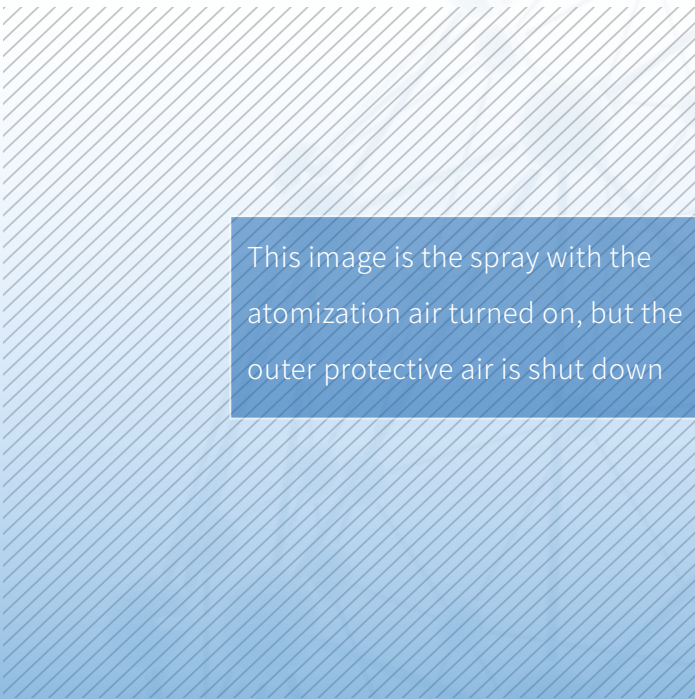


Fluid Bed Processor Spray Gun

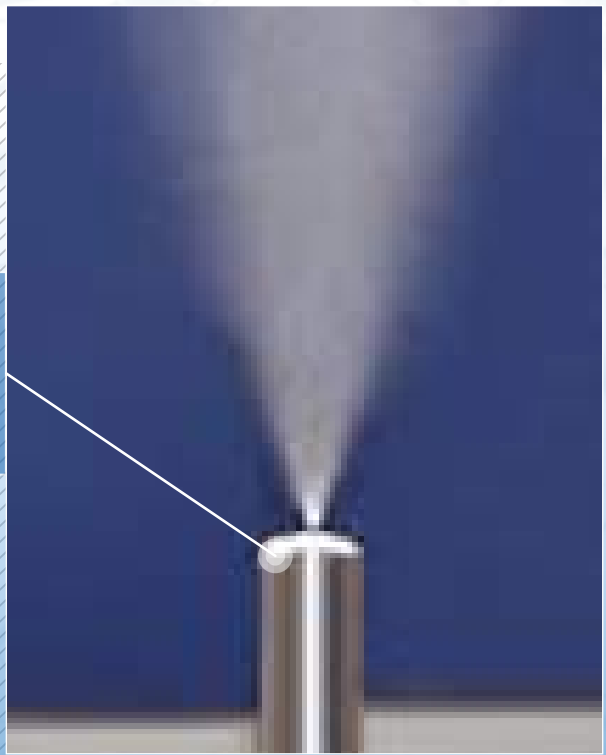
Tangent Spray Gun—Spray effect



This image is the spray with the outer protective air and atomizing air turned on at the same time



This image is the spray with the atomization air turned on, but the outer protective air is shut down





03

Tablet Coating Spray Gun

SGC 3K

SGC 4K

BY- II -3K

BY- II -4K

BYQIII-10

Tablet Coating Spray Gun Series- Spray Gun Rack

Tablet Coating Spray Gun Series

Tablet Coating Spray Gun Series - Spray Effect

Tablet Coating Spray Gun

SGTC-I-3K Tablet Coating Spray Gun

- ◆ The anti-clogging system with excellent spraying method solves the problem of hood sticking and nozzle clogging
- ◆ Strengthen the droplet effect, solve the droplet drying and over-wetting
- ◆ No tools required for loading and unloading, convenient and quick
- ◆ The streamlined structure design is conducive to online washing and reducing air turbulence
- ◆ Spray Nozzle Diameter: 0.6-1.2mm
- ◆ Single Spray Gun Spray Volume 10~60ml/min



Tablet Coating Spray Gun

SGTC-I-4K Tablet Coating Spray Gun

- ◆ The anti-clogging system with excellent spraying method solves the problem of hood sticking and nozzle clogging
- ◆ Strengthen the droplet effect, solve the droplet drying and over-wetting
- ◆ No tools required for loading and unloading, convenient and quick
- ◆ The streamlined structure design is conducive to online cleaning and reducing gas turbulence
- ◆ The flattening gas is controlled separately, and the angle adjustment of the atomization fan is more convenient and quick
- ◆ Spray Nozzle Diameter: 0.6-1.2mm
- ◆ Single Spray Gun Spray Volume 10~60ml/min



Tablet Coating Spray Gun

SGTC-II-3K Tablet Coating Spray Gun

- ◆ Used for pilot and large-scale production equipment, simple structure, easy to disassemble
- ◆ Facilitate online washing and reduce air turbulence
- ◆ Facilitate the assembly of multiple guns to balance the flow of each spray gun and re-quantify it after disassembly. The angle of the atomization fan cannot be adjusted.
- ◆ Spray Nozzle Diameter: 0.8-2.2mm
- ◆ Single gun spray volume: 50~250ml/min



Tablet Coating Spray Gun

SGTC-II-4K Tablet Coating Spray Gun

- ◆ The atomization angle is adjustable from 10-40 degree/40-65 degree, and the hood is not bonded
- ◆ With online gun washing and liquid blocking function, with flow scale adjustment memory function, beautiful appearance and easy to wash
- ◆ Used for pilot and large-scale production equipment, simple structure, easy to disassemble
- ◆ The flattening air is controlled separately, and the angle adjustment of the atomization fan angle is more convenient and quick
- ◆ Facilitate online washing and reduce air turbulence
- ◆ Facilitate the assembly of multiple guns to balance the flow of each spray gun and re-quantify it after disassembly
- ◆ Spray Nozzle Diameter: 0.8-2.2mm
- ◆ Single gun spray volume: 50~250ml/min



Tablet Coating Spray Gun

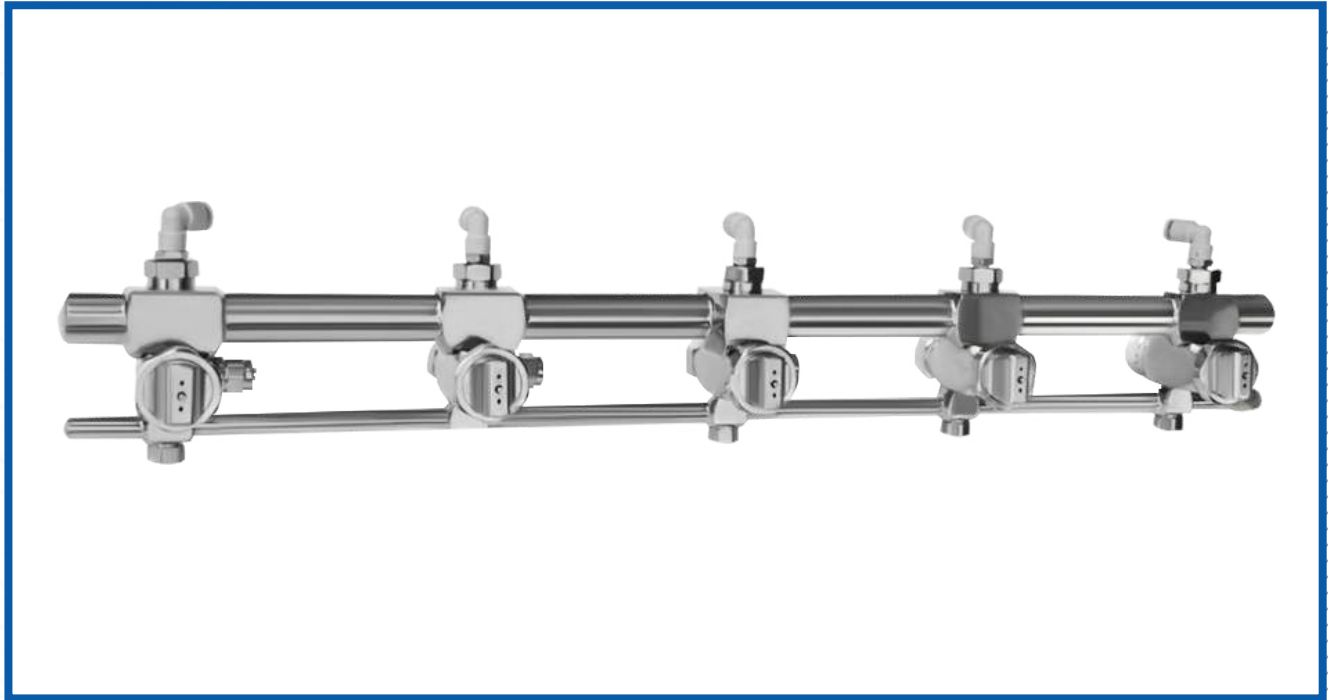
SGTCIII-10 Tablet Coating Spray Gun

- ◆ The atomization is uniform, the atomization angle is 10~55°, the hood is not easy to bond, it has the functions of online washing and liquid blocking, flow adjustment function and the appearance is beautiful. The spray nozzle diameter is 0.8~2.2mm, and the spray volume is 50~250ml/min. It is used for pilot and large-scale production equipment. It has simple structure and convenient disassembly, adopts anti-adhesive design and adopts flow adjustment design, when multiple guns are assembled conducive to equalizing the flow of each spray gun.
- ◆ Spray Nozzle Diameter: 1.2-2.2mm
- ◆ Single gun spray volume: 30~180ml/min



Tablet Coating Spray Gun

Tablet Coating Spray Gun Series- Spray Gun Rack

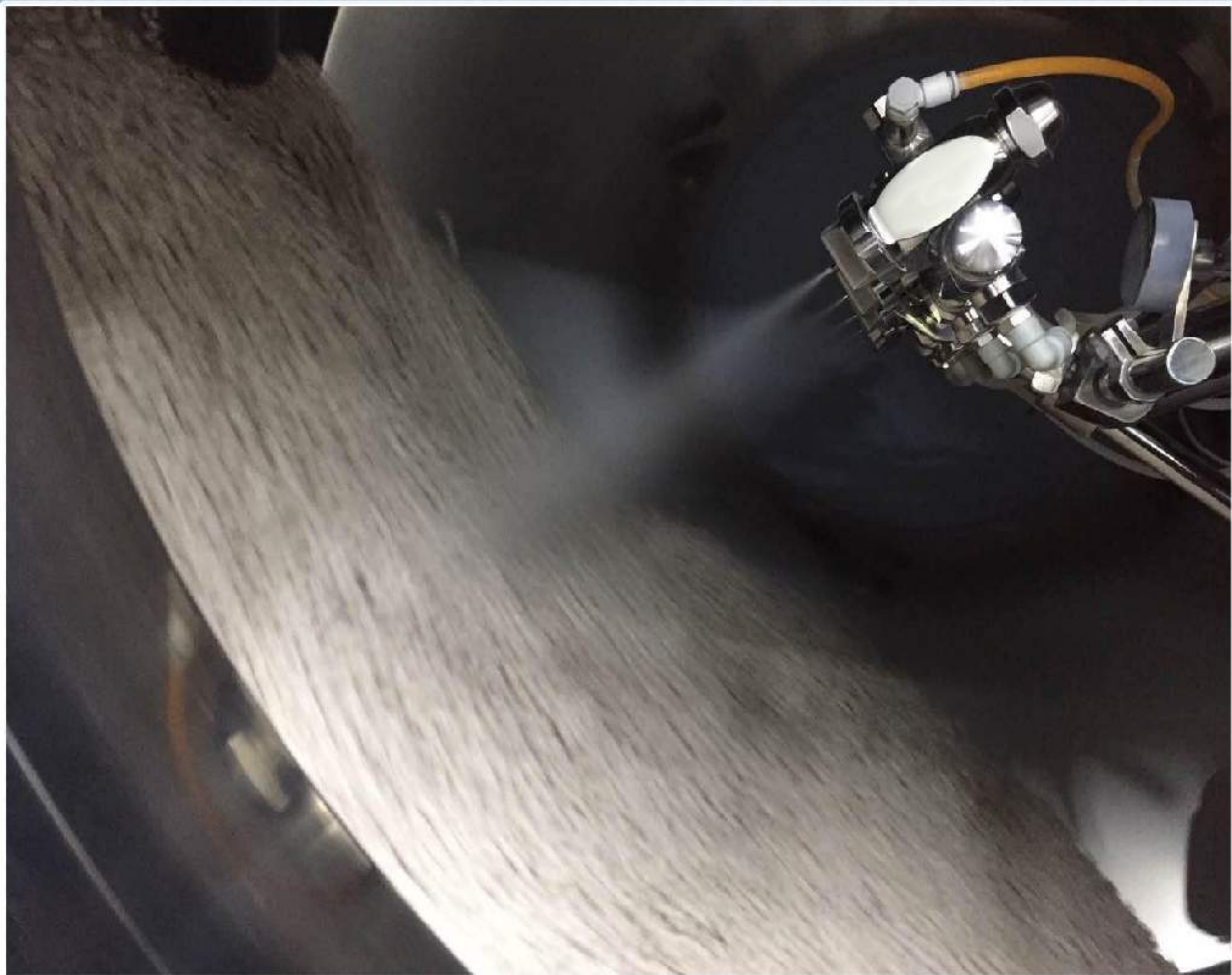


Tablet Coating Spray Gun Series



Tablet Coating Spray Gun

Tablet Coating Spray Gun Series - Spray Effect



04



Centrifugal Granulator Spray Gun

SGCG-WL-300

SGCG-WL-1000

Centrifugal Granulator Spray Gun Series

Centrifugal Granulator Spray Gun - Spray Effect

Centrifugal Granulator Spray Gun

SGCG-WL-300 Centrifugal Granulator Spray Gun Series

With functions such as liquid control, blocking, overflow, etc., the structure is simple and easy to disassemble, adopts a scaled flow adjustment design, which is beneficial to balance the flow and quantitative return after disassembly.



SGCG-WL-1000 Centrifugal Granulator Spray Gun Series

With functions such as liquid control, blocking, overflow, etc., the structure is simple and easy to disassemble, adopts a scaled flow adjustment design, which is beneficial to balance the flow and quantitative return after disassembly.



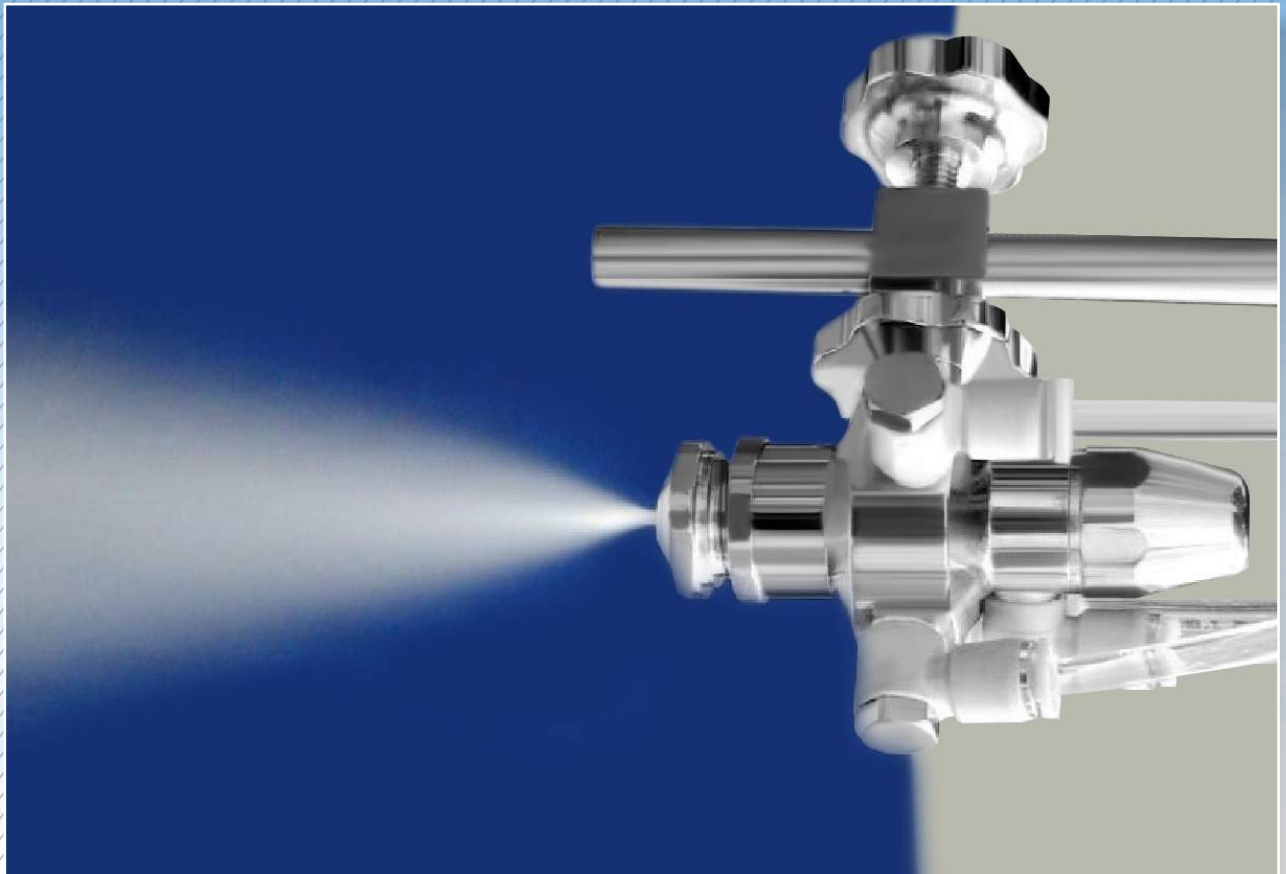
Centrifugal Granulator Spray Gun

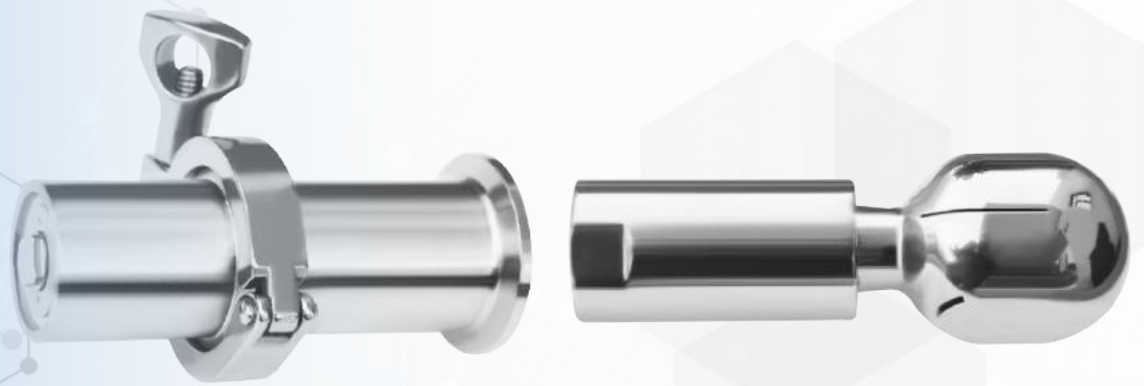
Centrifugal Granulator Spray Gun Series



Centrifugal Granulator Spray Gun

Centrifugal Granulator Spray Gun - Spray Effect





05

Washing Ball

Telescopic Self-driving Washing Ball

Self-driving Rotating Washing Ball

Washing Ball Series—Spray Effect

Washing Ball

Telescopic Self-driving Washing Ball

The washing head is protruded from the housing under the drive of the liquid pressure, the cleaning agent jet makes the cleaning head rotate, and the fan-shaped jet forms a vortex in the whole tank body, which generates the spray force needed to effectively remove the residual product, and can be cleaned to all the inner surfaces of the container.



Self-driving Rotating Washing Ball

The Washing agent jet makes the washing ball head rotate, and the fan-shaped jet forms a vortex in the whole tank body, which generates the spray force needed to effectively remove the residual product, and can be cleaned to all the inner surfaces of the container.



Washing Ball

Washing Ball Series—Spray Effect



Self-driving Rotating Washing Ball

Telescopic Self-driving Washing Ball



06



Sterilization Nozzle

Sterilization Nozzle

Sterilization Nozzle

Sterilization Nozzle Series—Spray Effect



The multi-directional atomizer atomizes and diffuses the liquid medium into the space to achieve the working purpose; use an appropriate volume of sporicide, hydrogen peroxide atomization or vaporization to humidify the environment surface, and the atomized droplet size is controlled at 7~30 μm , small droplets and gas particles can be in full contact with the surface, dispersed in the air through Brownian motion, so that it can maintain its concentration for a specified time, and achieve the effect of disinfection and sterilization of the space environment.